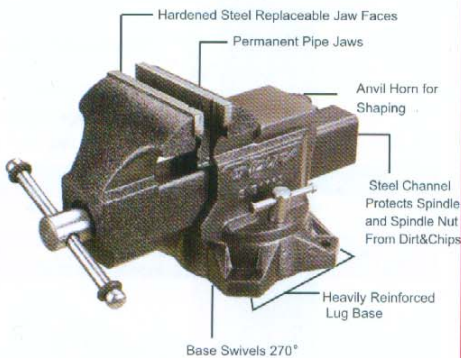


9

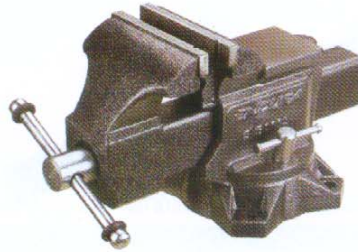
WORKSHOP EQUIPMENT

PROFESSIONAL VISE WITH ANVIL



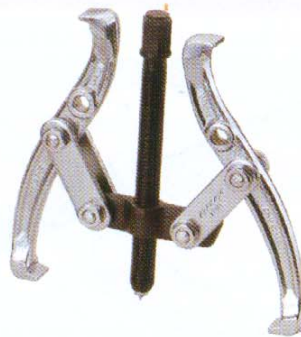
- High precision
- Steel plate not vulnerable to breakage
- Reinforced and durable base
- Greater tensile strength
- Multi functions
- Plastic spraying

PROFESSIONAL VISE WITH ANVIL



PART #	SIZE	GAWOPENING	ΔTΔ	
E0114	4"	102mm	9kg	2
E0115	5"	127mm	13kg	2
E0116	6"	152mm	19kg	1
E0117	7"	170mm	25kg	1

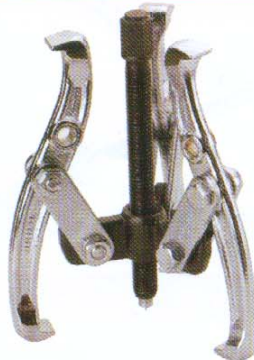
CR-V 2-JAW GEAR PULLER



- Heavy duty. Made of Cr-V.
- All parts heat-treated for durability. Convenient to use.

PART #	SIZE	SPEED	
E0171	3"	15-80mm	6
E0172	4"	20-110mm	6
E0173	6"	25-160mm	6
E0174	8"	30-210mm	6
E0176	12"	50-310mm	6

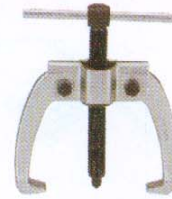
CR-V 3-JAW GEAR PULLER



- Heavy duty. Made of Cr-V.
- All parts heat-treated for durability. Convenient to use.

PART #	SIZE	SPEED	
E0181	3"	15-80mm	6
E0182	4"	20-110mm	6
E0183	6"	258-160mm	6
E0184	8"	30-210mm	6
E0186	12"	50-310mm	6

MINI 2-ARM PULLER



- Full forged with triangle screw thread design.

PART #	SIZE	SPEED	REACH	
E0131	1#	60mm	50mm	6
E0132	2#	70mm	70mm	6
E0133	3#	80mm	80mm	6

MINI 3-ARM PULLER



- Full forged with triangle screw thread design.

PART #	SIZE	SPEED	REACH	
E0136	1#	60mm	50mm	6
E0137	2#	70mm	70mm	6
E0138	3#	80mm	80mm	6

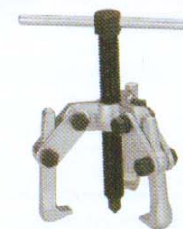
MINI 2-ARM PULLER



- Full forged with triangle screw thread design.

PART #	SIZE	SPEED	REACH	
E0141	0#	60mm	40mm	6
E0142	1#	60mm	50mm	6
E0143	2#	70mm	70mm	6

MINI 3-ARM PULLER



- Full forged with triangle screw thread design.

PART #	SIZE	SPEED	REACH	
E0146	0#	60mm	40mm	6
E0147	1#	65mm	65mm	6
E0148	2#	80mm	80mm	6